

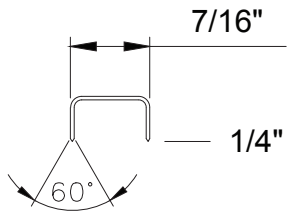
FINE-WIRE STAPLES

Tacker Staples

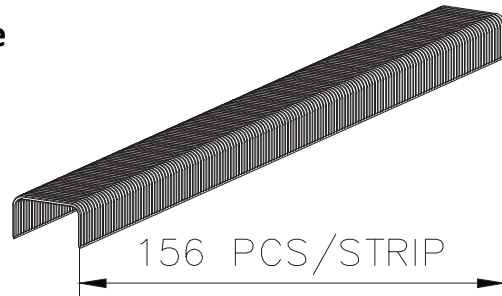
Use with the following UNICATCH tools: UA-11 & UA-19 & CarpetPro7500

ITEM#	DESC.	LENGTH	WT/CTN (LBS)	M/BX	BXS/CTN	PLT Q'TY (BY CARTONS)	LIST PRICE	
							PER/M	PER/CTN
87635	UA19-14	1/4" (23GA)	30	5	50	72	\$0.26	\$65.00
87660	UA11-38	3/8" (20GA)	29	5	20	72	\$0.60	\$60.00
87843	DP7512	3/8" (19GA)	35	5	20	64	\$0.80	\$80.00
87866	DP5418	9/16" (20ga)	31	5	20	84	\$0.70	\$70.00

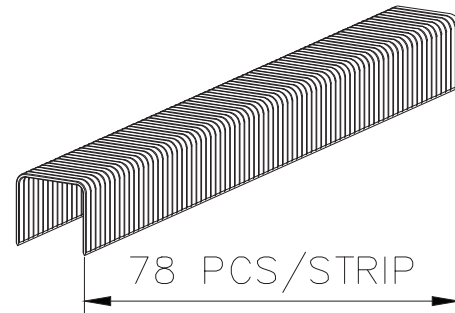
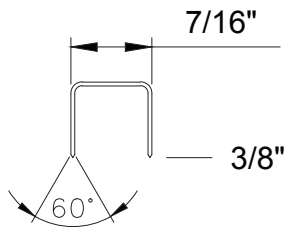
UA19-14
23GA



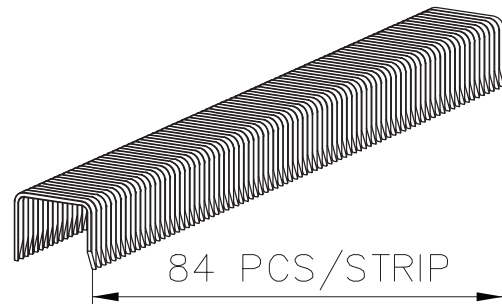
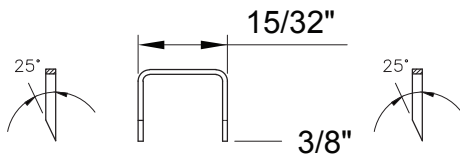
Actual Size



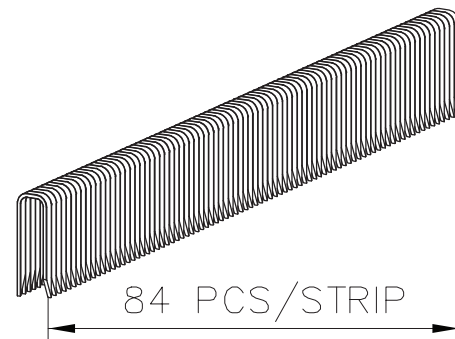
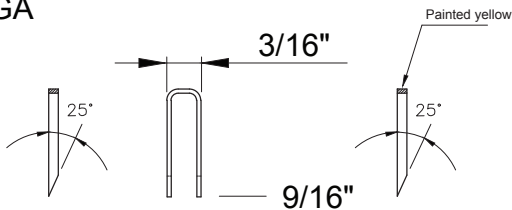
UA11-38
20GA



DP7512
19GA



DP5418
20GA



****Stainless steel available on special order. Please call for quote and availability****